

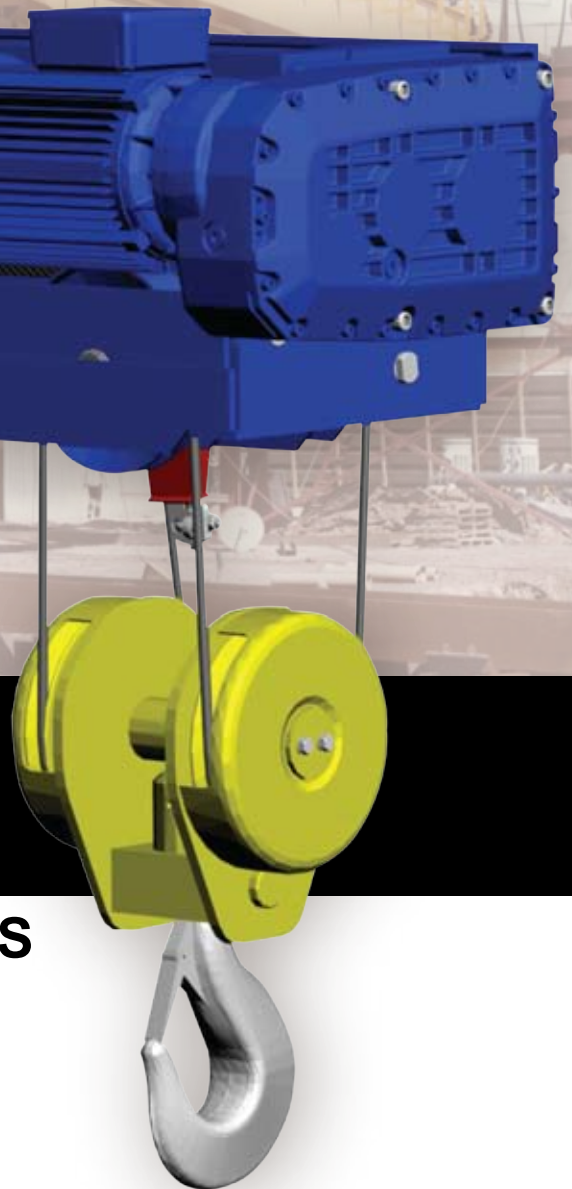


HYDROMECH PTY. LTD.



SERIES

JLP HOISTS / BOGIES



Hydromech have been involved in the supply and assembly of products used in the hoist and overhead crane industry and associated service industry for more than 50 years.

Hydromech has a large sales listing, which includes supplying a select range of crane hoists and crane and hoist products to service providers. These providers are located predominantly in Australia, but also include supplies to Singapore, Malaysia, Fiji, the Middle East, USA and New Zealand.

Hydromech assembles hoists, cranes and various products in its modern hi-tech workshop using both locally made components and equipment imported from Germany and China.

Much of our stock of spare parts is maintained for our representation of German Hoist parts manufacturer SWF KRANTECHNIK. We supply to many of their hoists and cranes throughout Australia. Also supplier for spare parts to Eastcrane Cranes. With the expansion of our range of products related to overhead cranes and hoists we are known in the market place for our high standards and reliable production.

Hydromech is continually developing new products and improved methods of manufacture using new jigs and systems.

M SERIES WIRE ROPE HOIST

The JLP M Series Electric Wire Rope Hoist, robust and reliable are designed to the exacting specifications of AS 141 8 with true long working life and exceptionally easy maintenance. The range of hoists from 0.8 tonne to 50 tonne gives users plenty to choose from. The hoists and trolleys cater for all types of O.H.T. cranes and monorails. Our hoist was principally designed for Australia's telling conditions where the units could be in Northern tropical atmosphere, frozen southern location to the desert terrain of the driest continent. This has already been proved, no place on earth will test the hoist more than this.

SPECIFICATIONS

HOIST GEARBOX

Manufactured in West Germany to our specifications. The modern streamlined aluminium body encloses a 3 stage precision helical gear drive running on anti-friction bearings encased in oil.

HOIST MOTOR

Manufactured in West Germany to our specifications. The aluminium house motor embodies the latest in high performance hoisting motors. Motors have class 'F' insulation to IEC standards IP-54/IP55 enclosure, S3-40%/180 switchings/hr with 3 thermistor detectors P.T.C protection, motors 2 speed pole changing.

HOIST BRAKE

240V AC external power supplies heavy duty D.C. operated disc brake with the most positive action, a special hand release mechanism is fitted to allow the hook to be lowered in the event of a power failure.

ELECTRICAL PANEL

All hoists are fitted with a heavy duty steel enclosure to IP55.

HOIST DRUM

Heavy duty seam-less steel tube accurately machined to contain the wire rope in a single layer, the correct drum reeving is protected by our excellent 2 piece heavy duty rope guide and substantial pressure ring.

BOTTOM HOOK BLOCK

Forged steel hook to BS 2903 or as load tested to 200% full to assembly, the hook is fitted with a heavy duty thrust bearing fixed to the trunnion, the machined sheaves revolve on anti-friction bearings.

HOIST LIMIT SWITCH

As standard all hoists are fitted with auto-reset shunt limit switches to prevent over hoisting or over lowering of the unit, the positive mechanism is adjustable.

HOIST FRAME

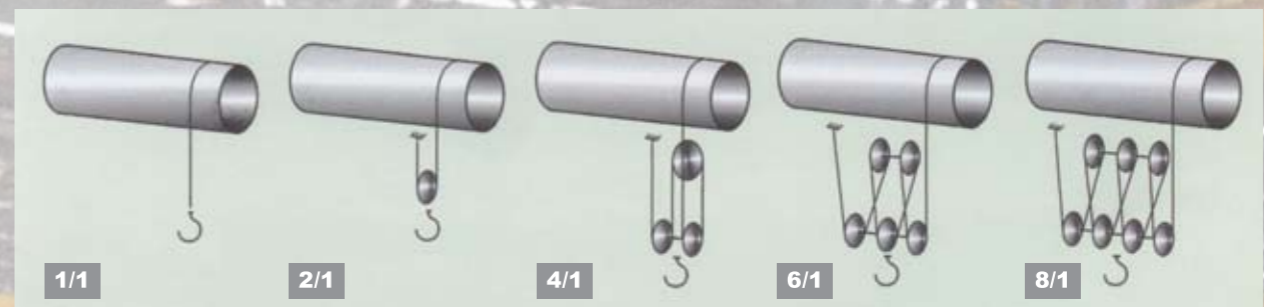
Heavy duty and solid welded steel frame made from mild steel plate and steel sections precision machined to take machine components.

STANDARD REEVING

Hoist Model	Capacity kg					Lifting Speed m/min					Maximum lifting height meters				
	1/1	2/1	4/1	6/1	8/1	1/1	2/1	4/1	6/1	8/1	1/1	2/1	4/1	6/1	8/1
32 MDA-Y2	800	1600	3200	-	-	17/2.4	8.5/1.2	4.3/0.6	-	-	26	13	6.5	-	-
32MEA-Y2	800	1600	3200	-	-	17.2/2.8	8.6/1.4	4.3/0.7	-	-	34.8	17.4	8.7	-	-
50 MES-Y2	1250	2500	5000	-	-	17.2/2.8	8.5/1.4	4.3/0.7	-	-	34.8	17.4	8.7	-	-
50 MFB-Y3	1250	2500	5000	-	-	22/3.0	10.8/1.6	5.4/0.8	-	-	40	20	10	-	-
63 MES-Y3	1600	3200	6300	-	-	17.2/2.4	8.6/1.2	4.3/0.6	-	-	34.8	17.4	8.7	-	-
100 MGB-Y3	2500	5000	10000	15000	20000	13.6/2.0	6.8/1.0	3.4/0.5	2.3/0.3	1.7/0.25	40	20	10	6.6	5
125MGB-Y3	3125	6300	12500	18750	25000	13.6/2.0	6.8/1.0	3.4/0.5	2.3/0.3	1.7/0.25	40	20	10	6.6	5
200 MHA-Y3	5000	10000	20000	30000	40000	13.6/2.0	6.8/1.0	3.4/0.5	2.3/0.3	1.7/0.25	40	20	10	6.6	5
250 MHA-Y3	6300	12500	25000	37500	50000	13.6/2.0	6.8/1.0	3.4/0.5	2.3/0.3	1.7/0.25	40	20	10	6.6	5

*Special all purpose hoist and trolley are also available on request.

ROPE REEVING



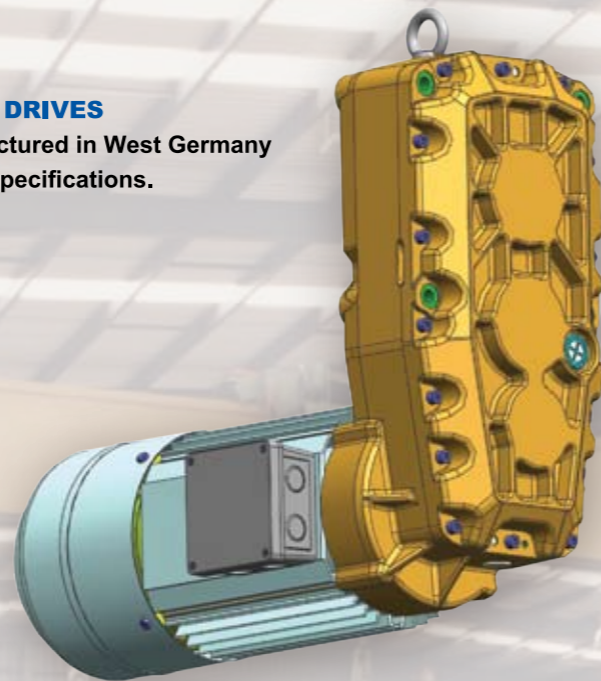
Foot Mounted Hoist



HOISTS AND TROLLEYS

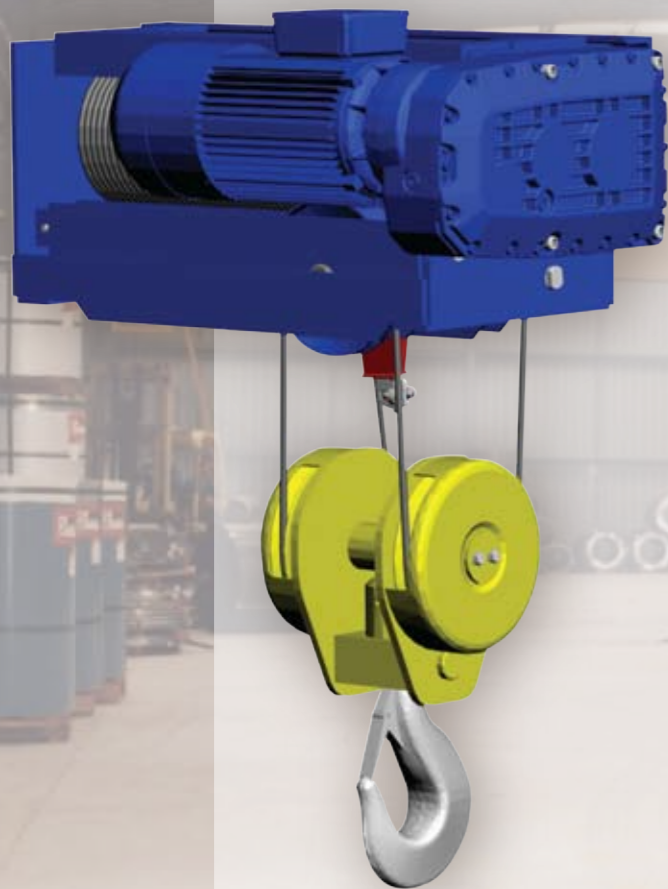
HOIST DRIVES

Manufactured in West Germany to our specifications.



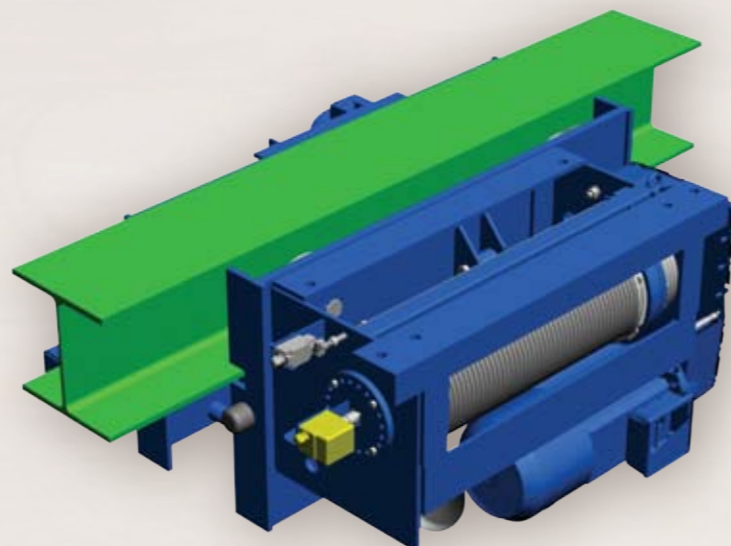
FOOT MOUNTED HOIST

Can be used as replacement hoist to suit most twin bridge and torsion beam cranes and on EKP or EUP trolleys depending on design of trolley.



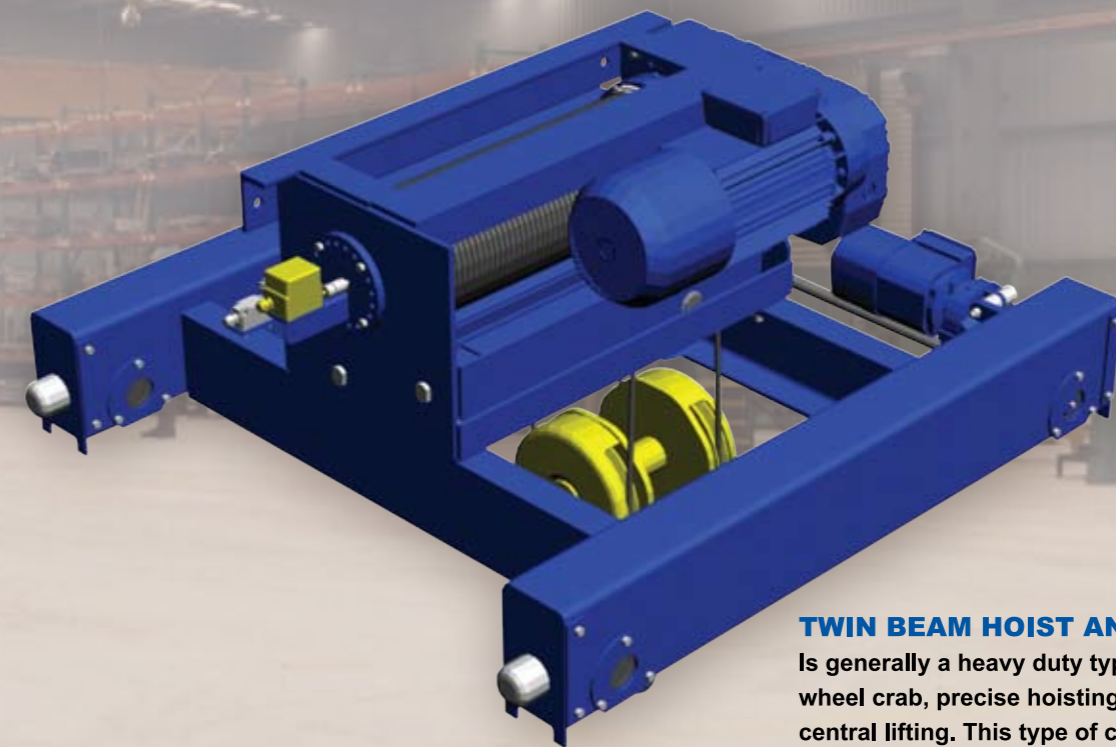
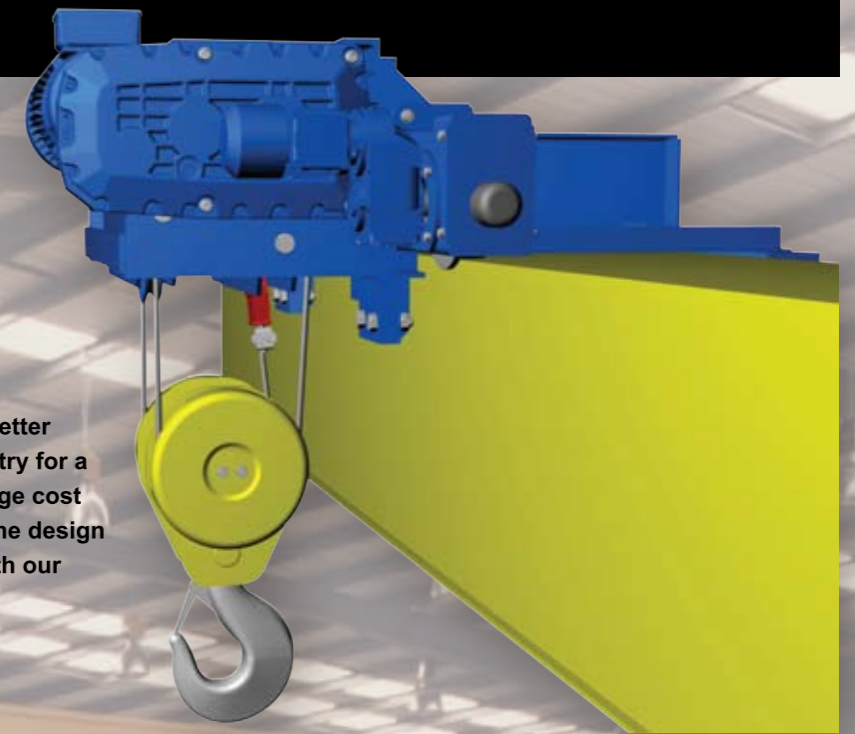
HIGH LIFT HOIST & TROLLEY (EKP & EUP)

This is probably the most common and economical type of trolley in use today. Our configuration gives both a good hook height and side approach. The EUP option is suitable for mounting in existing or new cranes or monorails and is used when hook height is not a premium.



TORSION BEAM CRAB (EFT)

The Hydromech torsion beam crab has allowed a better hook height than any other competitor in the industry for a single beam crane. This feature alone produces huge cost savings in building height etc. Developed in 1983 the design has a world patent and has seen many changes with our ongoing engineering program.

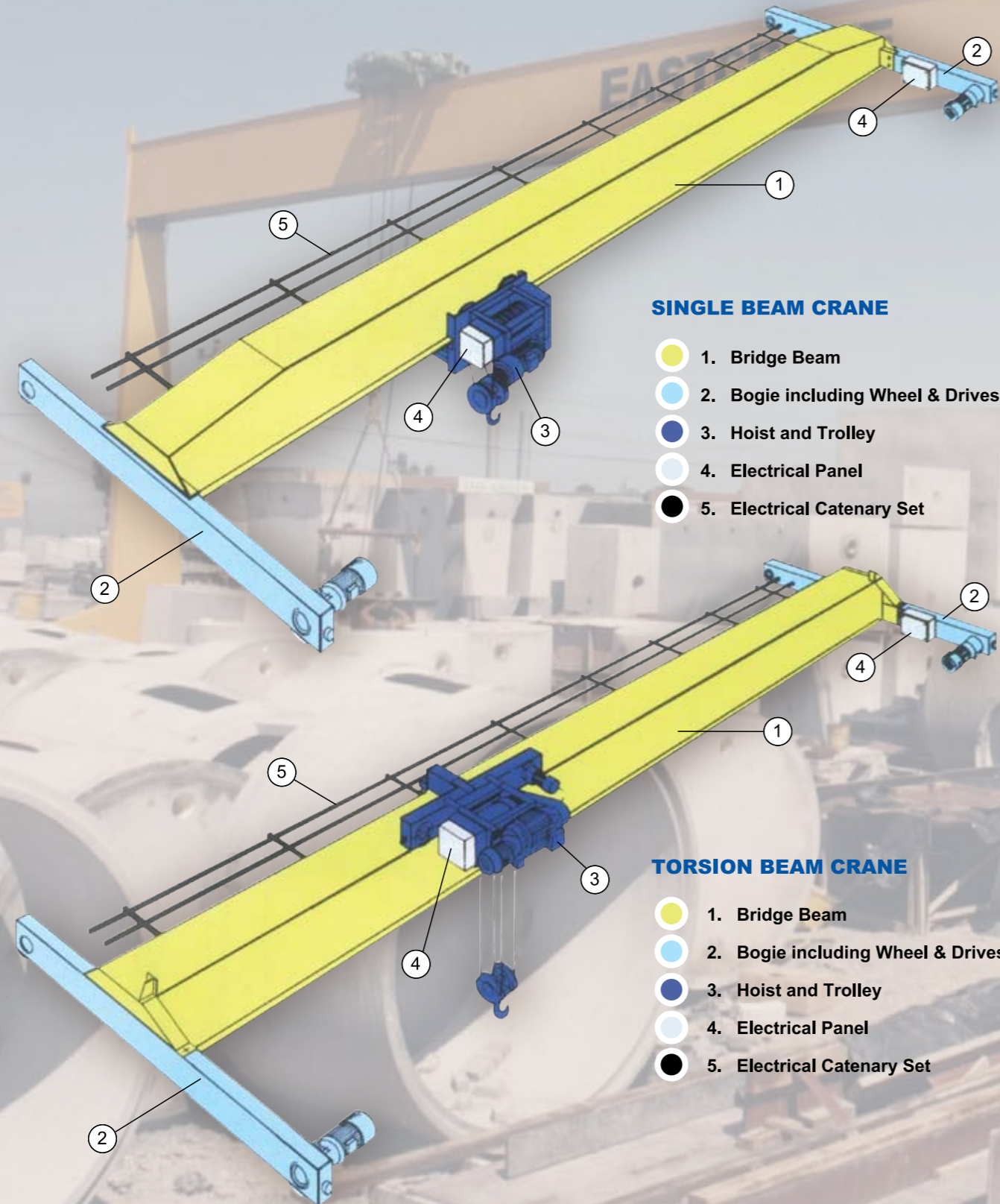


TWIN BEAM HOIST AND CRAB (TYPE EZP)

Is generally a heavy duty type crane with a top running 4 wheel crab, precise hoisting control is available with true central lifting. This type of crane is often equipped with on board platforms for servicing and can achieve good hook heights and side approaches.



CRANE COMPONENTS – FOR CRANE KIT



SINGLE BEAM CRANE

- 1. Bridge Beam
- 2. Bogie including Wheel & Drives
- 3. Hoist and Trolley
- 4. Electrical Panel
- 5. Electrical Catenary Set

TORSION BEAM CRANE

- 1. Bridge Beam
- 2. Bogie including Wheel & Drives
- 3. Hoist and Trolley
- 4. Electrical Panel
- 5. Electrical Catenary Set

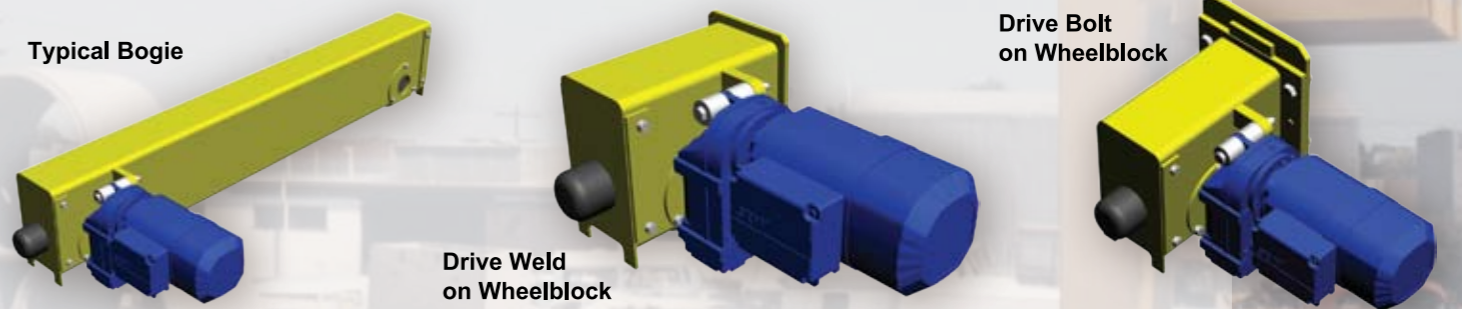
EWB BOGIES

Hydromech manufactures an extensive range of bogies, ranging from the 125mm to 710mm diameter wheels. These bogies are fabricated from a rectangular hollow section with anti-drop and derailment plates at each end. With the 500mm and the 700mm diameter wheels the bogies are fabricated

from four plates prepared and welded to form a box section. Internal diaphragms are enclosed to secure tie the box section. Wheels are fitted with sealed for life deep groove ball bearings, also wheel assemblies designed for easy removal.

Model No.	Wheel Diameter	Duty	Flange Width	Rec. Rail Head	Wheel Load	
					Max Static	Max Dynamic
EWB130-	130mm	Normal	40mm	32mm	20kN	25kN
EWB160-	160mm	Normal	64mm	40mm	40kN	45kN
EWB230-	230mm	Normal	64mm	50mm	62kN	100kN
EWB230-	230mm	Heavy	64mm	50mm	93kN	100kN
EWB300-	300mm	Normal	70mm	50mm	76kN	130kN
EWB300-	300mm	Heavy	70mm	50mm	120kN	130kN
EWB380-	380mm	Normal	80mm	63mm	140kN	200kN
EWB380-	380mm	Heavy	80mm	63mm	170kN	200kN
EWB500-	500mm	Normal	90mm	70mm	220kN	300kN

Wheel load shown are for each wheel.
Insert wheel base required after the model number eg EWB130-2.5m wheelbase.
For wheel base greater than 3.5m contact us for further details.



EWP WHEEL BLOCKS

Hydromech manufactures an extensive range of wheel blocks, ranging from 125mm to 500mm diameter wheels. These wheel pads have been found to be very successful in

the refurbishment and modification of existing cranes. We can custom design to suit application needs.

Model No.	Wheel Diameter	Duty	Flange Width	Rec. Rail Head	Wheel Load	
					Max Static	Max Dynamic
EWP130-	130mm	Normal	40mm	32mm	20kN	25kN
EWP160-	160mm	Normal	64mm	40mm	40kN	45kN
EWP230-	230mm	Normal	64mm	50mm	62kN	100kN
EWP230-	230mm	Heavy	64mm	50mm	93kN	100kN
EWP300-	300mm	Normal	70mm	50mm	76kN	130kN
EWP300-	300mm	Heavy	70mm	50mm	120kN	130kN
EWP380-	380mm	Normal	80mm	63mm	140kN	200kN
EWP380-	380mm	Heavy	80mm	63mm	170kN	200kN
EWP500-	500mm	Normal	90mm	70mm	220kN	300kN

Insert wheel block required after the model no. E.g. for weld on pod EWP130-W for bolt on EWP130-B.



The range of hoists from 0.8 tonne to 50 tonne gives users plenty to choose from. The hoists and trolleys cater for all types of O.H.T. cranes and monorails.



Hydromech Pty. Ltd.

ABN 13 050 136 313

22A Fowler Road, Dandenong Victoria 3175

E: jhydrome@net2000.com.au

T: 03 9791 1322

F: 03 9794 8066